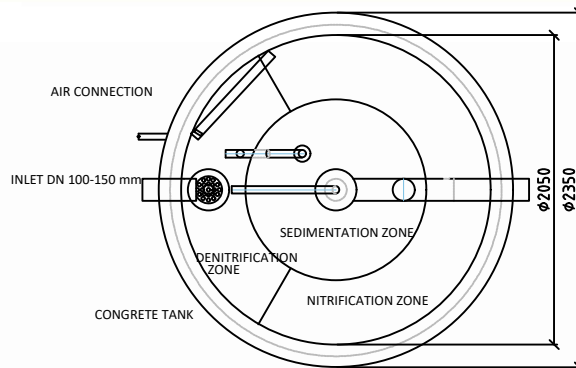
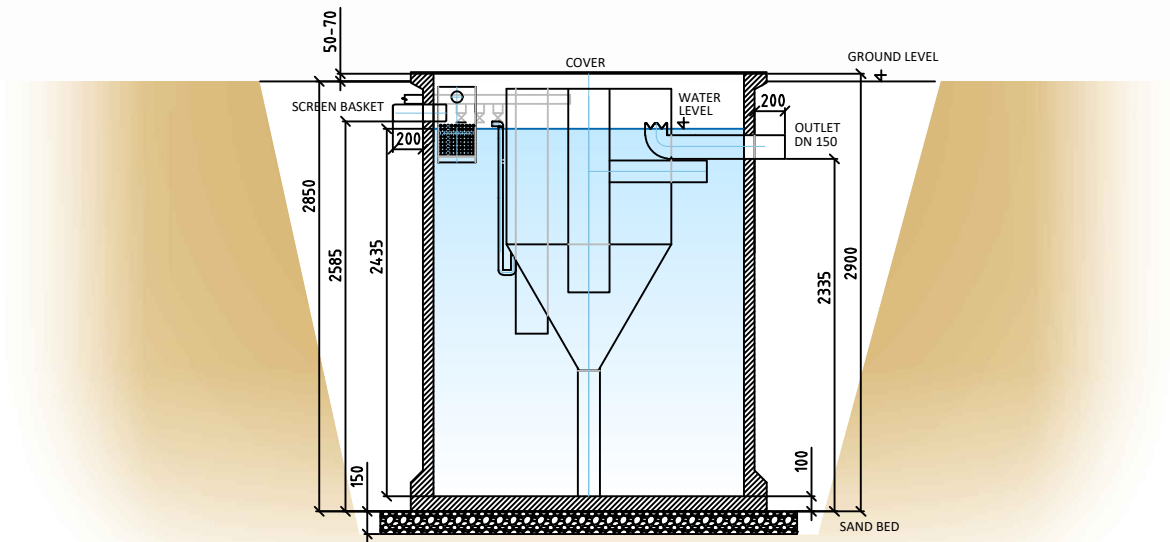


# Drawing of waste water treatment plant BioCleaner® BC 20 B



Note: Drawing of WWTP for backfill. Assembly make according to the Instruction for installation.

Volume of denitrification zone	1.80 m <sup>3</sup>	Maximum weight	5000 kg
Volume of nitrification zone	4.20 m <sup>3</sup>	Installed power	225 W
Volume of sedimentation zone	2.03 m <sup>3</sup>	Voltage	230 V
Total volume	8.03 m <sup>3</sup>	Protection of supply cable	4 A
Water level	2.44 m	Supply cabel	CYKY-J3x2.5

